



tools at your side

**Utensili per la produzione
delle sedie e dei tavoli**

***Cutters for chairs and
tables production***



Contornatura / Shaping



Art. A0252

[DOWNLOAD](#)



Art. A0251

[DOWNLOAD](#)



Art. A0245

[DOWNLOAD](#)



Art. A0361

[DOWNLOAD](#)



Art. A0362

[DOWNLOAD](#)



Art. A0363

[DOWNLOAD](#)

Tenonatura / Tenoning



Art. A0080

DOWNLOAD



Art. A0085

DOWNLOAD



Art. A0385

DOWNLOAD



Art. A0393

DOWNLOAD

Tenonatura / Tenoning



Art. A0390

DOWNLOAD



Art. A0395

DOWNLOAD



Art. A0086

DOWNLOAD



Art. A0396

DOWNLOAD

CNC



Art. A0410

DOWNLOAD



Art. A0415

DOWNLOAD

CNC



Art. A0420

DOWNLOAD

Art. A0423

DOWNLOAD

Art. A0425

DOWNLOAD

Art. A0428

DOWNLOAD

Art. A0430

DOWNLOAD

Art. A0435

DOWNLOAD

CNC



Art. A0473

DOWNLOAD



Art. A0471

DOWNLOAD



Art. A0474

DOWNLOAD



Profilatura / Profiling



Art. A0005

DOWNLOAD



Art. A0035

DOWNLOAD



Art. A0300

DOWNLOAD



Art. A0305

DOWNLOAD

Profilatura / Profiling



Art. A0475

[DOWNLOAD](#)



Art. A0486

[DOWNLOAD](#)



Art. A0494

[DOWNLOAD](#)

Ricambi per il tornio a copiare

Spare parts for copying lathe



Art. A0575

DOWNLOAD

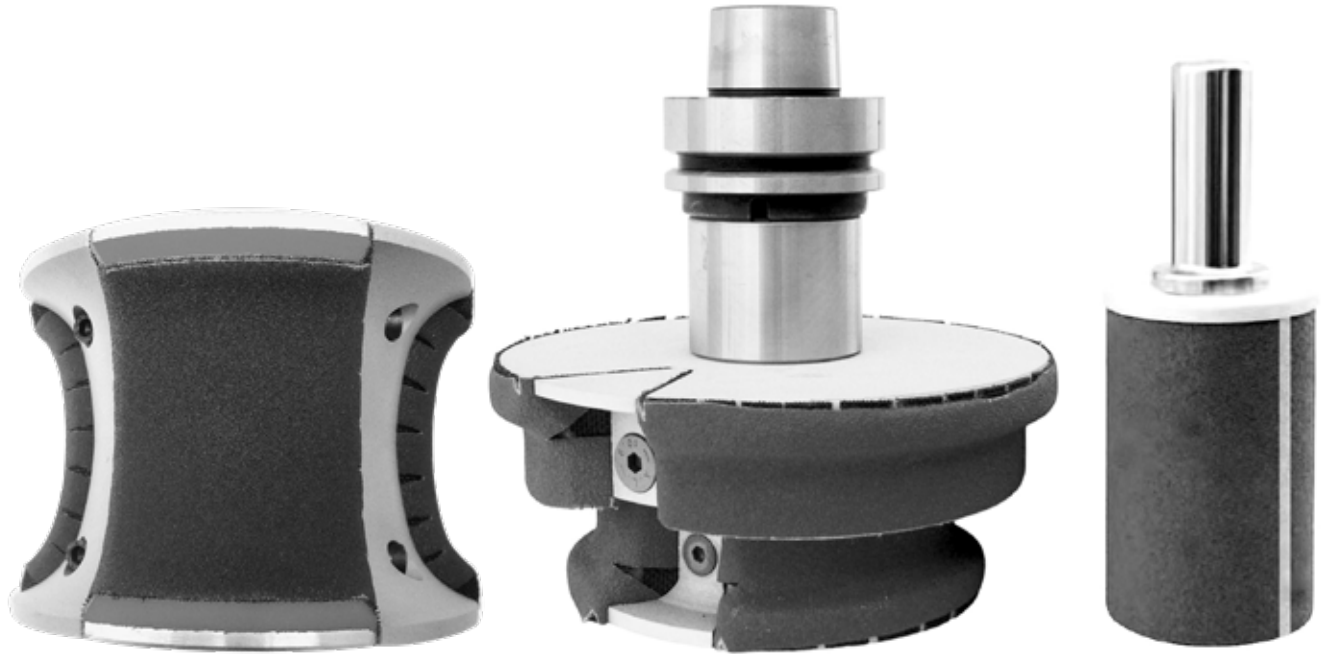


Taglio / Cut



● **LAME A NASTRO**
BAND SAW BLADES

Levigatura / Sanding



Kit base per CNC

Starter kit CNC



**Interessato ai
nostri prodotti? Contattaci!**
Interested on our products? Contact us!



tools at your side

 **+39 0577 981011**

 **info@g3tools.com**

G3 di Fantacci Giancarlo & C. S.r.l.
Loc. Drove 7/A

53036 Poggibonsi - Siena - Italy

P.I. e C.F. IT 00864380522

C.C.I.A.A. SI 96614 - Vol. 11432

www.g3tools.com