



## A0370

Teste portacoltelli diritti per piallare corpo in lega leggera con coltello 30x3  
*insert planing cutters light alloy body 30x3 knives*

### MATERIALE LAVORATO / MATERIALS

legno duro, legno tenero  
*hHrd wood, soft wood, soft wood*

### IMPIEGO / FUNCTION

scorniatrice, toupie  
*moulder, spindle moulder*

### DESCRIZIONE / DESCRIPTION

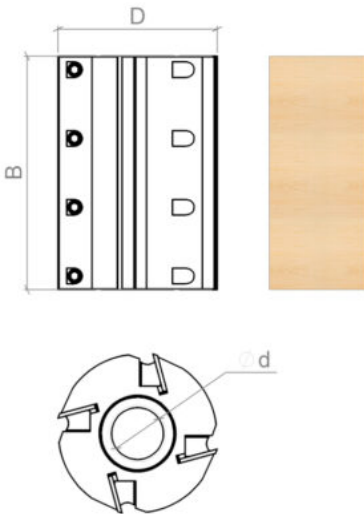
Testa portacoltelli con corpo in lega leggera e boccole in acciaio e coltelli diritti in Hs (Hss 18%W) in dotazione. L'utensile garantisce una eccellente finitura su legni teneri e legni duri.

*Knife holder head with light alloy body and steel bushings and straight knives in Hs (Hss 18%W) supplied. The tool guarantees an excellent finish on softwoods and hardwoods.*

### VARIANTI / OPTIONS

ESECUZIONE CORPO IN ACCIAIO INCREMENTO 15%

*EXECUTION STEEL BODY EXECUTION 15% ON REQUEST PRICE INCREASE*


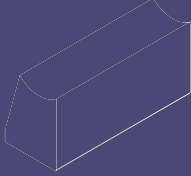



### DATI TECNICI / TECHNICAL DATA

ART	COD	DRW	D	B	Z	d
A0370	009	32179	125	60	4	30-35-40-50
A0370	001	29519	125	80	4	30-35-40-50
A0370	002	40760	125	100	4	30-35-40-50
A0370	003	28263	125	120	4	30-35-40-50
A0370	020	28563	125	130	4	30-35-40-50
A0370	031	90735	125	140	4	30-35-40-50
A0370	004	28559	125	150	4	30-35-40-50
A0370	010	31546	125	160	4	30-35-40-50
A0370	032	90736	125	170	4	30-35-40-50
A0370	005	28285	125	180	4	30-35-40-50
A0370	021	38259	125	190	4	30-35-40-50

ART	COD	DRW	D	B	Z	d
A0370	011	28259	125	200	4	30-35-40-50
A0370	042	90737	125	210	4	30-35-40-50
A0370	006	28267	125	220	4	30-35-40-50
A0370	007	31186	125	230	4	30-35-40-50
A0370	008	31267	125	240	4	30-35-40-50
A0370	025	29851	125	250	4	30-35-40-50
A0370	026	28254	125	260	4	30-35-40-50
A0370	033	90738	125	270	4	30-35-40-50
A0370	034	90811	125	300	4	30-35-40-50
A0370	035	90812	125	310	4	30-35-40-50
A0370	012	37556	140	60	4	30-35-40-50
A0370	013	36115	140	80	4	30-35-40-50
A0370	014	41035	140	100	4	30-35-40-50
A0370	015	29161	140	120	4	30-35-40-50
A0370	027	42362	140	130	4	30-35-40-50
A0370	036	90729	140	140	4	30-35-40-50
A0370	016	40648	140	150	4	30-35-40-50
A0370	017	40604	140	160	4	30-35-40-50
A0370	037	90730	140	170	4	30-35-40-50
A0370	018	29848	140	180	4	30-35-40-50
A0370	028	52324	140	190	4	30-35-40-50
A0370	019	41037	140	200	4	30-35-40-50
A0370	038	90731	140	210	4	30-35-40-50
A0370	022	41039	140	220	4	30-35-40-50
A0370	023	37558	140	230	4	30-35-40-50
A0370	029	41045	140	240	4	30-35-40-50
A0370	030	52325	140	250	4	30-35-40-50
A0370	024	43754	140	260	4	30-35-40-50
A0370	039	90732	140	270	4	30-35-40-50
A0370	040	90733	140	300	4	30-35-40-50
A0370	041	90734	140	310	4	30-35-40-50

## RICAMBI / SPARE PARTS

COD.		QTY		QTY		QTY
A0370.009	A0510.001.25099	4	A1059.003.23694	4	A1070.022.4343	8
A0370.001	A0510.003.28270	4	A1059.005.23016	4	A1070.022.4343	12
A0370.002	A0510.005.17493	4	A1059.007.23852	4	A1070.022.4343	12
A0370.003	A0510.007.28264	4	A1059.008.30792	4	A1070.022.4343	12
A0370.020	A0510.101.26080	4	A1059.009.19413	4	A1070.022.4343	16
A0370.031	A0510.102.28394	4	A1059.010.28393	4	A1070.022.4343	16
A0370.004	A0510.009.17630	4	A1059.011.23942	4	A1070.022.4343	16
A0370.010	A0510.103.23937	4	A1059.012.28262	4	A1070.022.4343	16
A0370.032	A0510.104.34424	4	A1059.013.26885	4	A1070.022.4343	16
A0370.005	A0510.011.24690	4	A1059.014.24689	4	A1070.022.4343	16
A0370.021	A0510.104.28489	4	A1059.015.28491	4	A1070.022.4343	16
A0370.011	A0510.013.44383	4	A1059.016.26587	4	A1070.022.4343	16
A0370.042	A0510.105.31553	4	A1059.017.26458	4	A1070.022.4343	20
A0370.006	A0510.106.41041	4	A1059.018.25808	4	A1070.022.4343	20
A0370.007	A0510.015.22997	4	A1059.019.23941	4	A1070.022.4343	20
A0370.008	A0510.107.28283	4	A1059.020.28282	4	A1070.022.4343	20
A0370.025	A0510.017.28283	4	A1059.021.28295	4	A1070.022.4343	20
A0370.026	A0510.019.28257	4	A1059.022.20256	4	A1070.022.4343	20
A0370.033	A0510.108.28404	4	A1059.023.17642	4	A1070.022.4343	24
A0370.034	A0510.021.24038	4	A1059.024.84229	4	A1070.022.4343	24
A0370.035	A0510.023.86540	4	A1059.025.84212	4	A1070.022.4343	24
A0370.012	A0510.001.25099	4	A1059.003.23694	4	A1070.022.4343	8
A0370.013	A0510.003.28270	4	A1059.005.23016	4	A1070.022.4343	12
A0370.014	A0510.005.17493	4	A1059.007.23852	4	A1070.022.4343	12
A0370.015	A0510.007.28264	4	A1059.008.30792	4	A1070.022.4343	12
A0370.027	A0510.101.26080	4	A1059.009.19413	4	A1070.022.4343	16
A0370.036	A0510.102.28394	4	A1059.010.28393	4	A1070.022.4343	16
A0370.016	A0510.009.17630	4	A1059.011.23942	4	A1070.022.4343	16
A0370.017	A0510.103.23937	4	A1059.012.28262	4	A1070.022.4343	16
A0370.037	A0510.104.34424	4	A1059.013.26885	4	A1070.022.4343	16
A0370.018	A0510.011.24690	4	A1059.014.24689	4	A1070.022.4343	16
A0370.028	A0510.104.28489	4	A1059.015.28491	4	A1070.022.4343	16
A0370.019	A0510.013.44383	4	A1059.016.26587	4	A1070.022.4343	16
A0370.038	A0510.105.31553	4	A1059.017.26458	4	A1070.022.4343	20
A0370.022	A0510.106.41041	4	A1059.018.25808	4	A1070.022.4343	20
A0370.023	A0510.015.22997	4	A1059.019.23941	4	A1070.022.4343	20
A0370.029	A0510.107.28283	4	A1059.020.28282	4	A1070.022.4343	20
A0370.030	A0510.017.28283	4	A1059.021.28295	4	A1070.022.4343	20
A0370.024	A0510.019.28257	4	A1059.022.20256	4	A1070.022.4343	20
A0370.039	A0510.108.28404	4	A1059.023.17642	4	A1070.022.4343	24
A0370.040	A0510.021.24038	4	A1059.024.84229	4	A1070.022.4343	24
A0370.041	A0510.023.86540	4	A1059.025.84212	4	A1070.022.4343	24