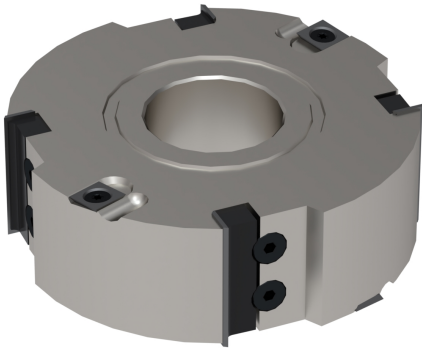


A0344

Teste portacoltelli per battuta a tagli dritti
Insert rebate cutters with straight cutting angles



IMPIEGO / FUNCTION

centro lavoro cnc, centro lavoro
 per finestre, contornatrice,
 scorniatrice, squadratrice,
 tenonatrice, toupie
*cnc router, copy-shaping,
 moulder, spindle moulder,
 squaring machine, tenoner,
 window frame machine centre*

DESCRIZIONE / DESCRIPTION

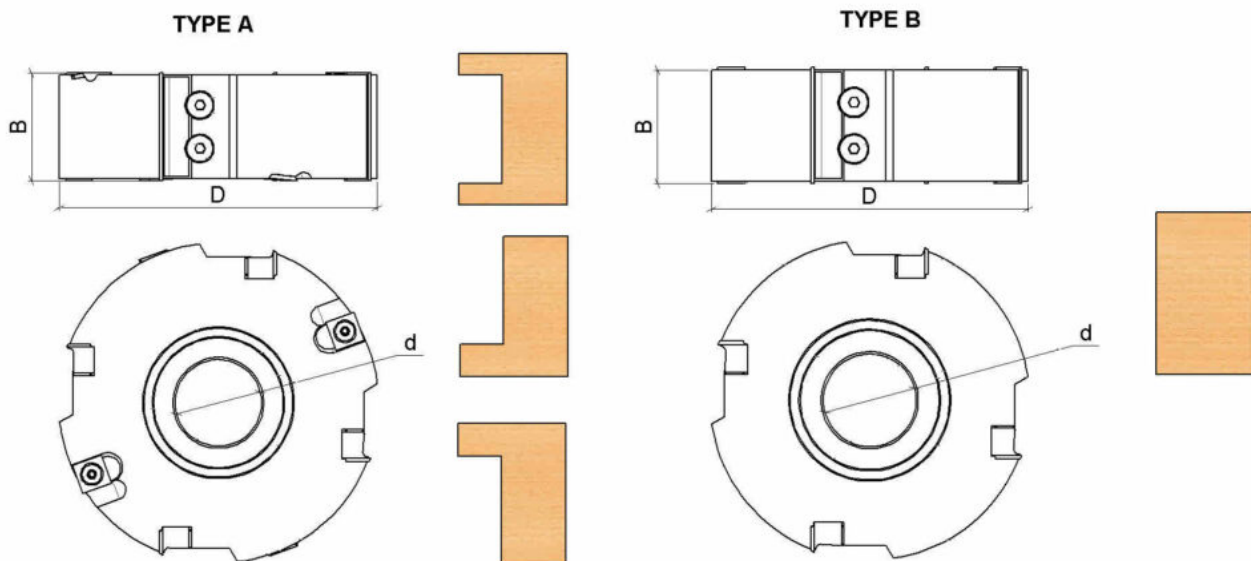
Testa portacoltelli con coltellini reversibili inclinati in HW (Hm integrale). Da B=12 a B=60 coltellini di spessore 1,5; per B=80 coltellini di 80 x 13 x 2,2.

Insert cutters with HW (integral tungsten carbide) reversible inserts. From B=12 to B=60: inserts 1,5 mm thickness; for B=80 inserts: 80 x 13 x 2,2 mm.

VARIANTI / OPTIONS

Esecuzione frese Z=2: sconto 20%; esecuzione frese Z=3: sconto 10%; esecuzione frese Z=6: incremento 25%;

For Z=2 execution: 20%discount; for Z=3 execution: 10%discount; for Z=6 execution: 25% price increase;




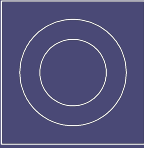
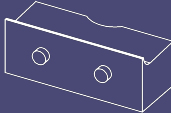
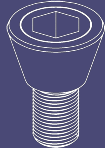
DATI TECNICI / TECHNICAL DATA


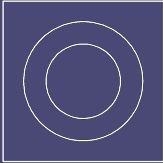
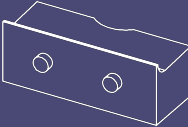
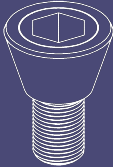
ART	COD	DRW	D	B	Z	d	RI	ROT	RIF	GT
A0344	100	52293	140	8	4	30-35-40-50	4	Dx Rh	TYPE A	Dritta / Straight
A0344	101	52294	140	10	4	30-35-40-50	4	Dx Rh	TYPE A	Dritta / Straight
A0344	102	52295	140	12	4	30-35-40-50	4	Dx Rh	TYPE A	Dritta / Straight
A0344	103	52296	140	20	4	30-35-40-50	4	Dx Rh	TYPE A	Dritta / Straight
A0344	104	52297	140	30	4	30-35-40-50	4	Dx Rh	TYPE A	Dritta / Straight


ART	COD	DRW	D	B	Z	d	RI	ROT	RIF	GT
A0344	105	52298	140	40	4	30-35-40-50	4	Dx Rh	TYPE A	Dritta / Straight
A0344	106	52299	140	50	4	30-35-40-50	4	Dx Rh	TYPE A	Dritta / Straight
A0344	107	52300	140	60	4	30-35-40-50	4	Dx Rh	TYPE A	Dritta / Straight
A0344	108	52301	140	80	4	30-35-40-50	4	Dx Rh	TYPE A	Dritta / Straight
A0344	109	52302	160	8	4	30-35-40-50	4	Dx Rh	TYPE A	Dritta / Straight
A0344	110	52303	160	10	4	30-35-40-50	4	Dx Rh	TYPE A	Dritta / Straight
A0344	111	52304	160	12	4	30-35-40-50	4	Dx Rh	TYPE A	Dritta / Straight
A0344	112	52305	160	20	4	30-35-40-50	4	Dx Rh	TYPE A	Dritta / Straight
A0344	113	52306	160	30	4	30-35-40-50	4	Dx Rh	TYPE A	Dritta / Straight
A0344	114	52307	160	40	4	30-35-40-50	4	Dx Rh	TYPE A	Dritta / Straight
A0344	115	52308	160	50	4	30-35-40-50	4	Dx Rh	TYPE A	Dritta / Straight
A0344	116	52309	160	60	4	30-35-40-50	4	Dx Rh	TYPE A	Dritta / Straight
A0344	117	52310	160	80	4	30-35-40-50	4	Dx Rh	TYPE A	Dritta / Straight
A0344	118	52311	200	8	4	30-35-40-50	4	Dx Rh	TYPE A	Dritta / Straight
A0344	119	52312	200	10	4	30-35-40-50	4	Dx Rh	TYPE A	Dritta / Straight
A0344	120	52313	200	12	4	30-35-40-50	4	Dx Rh	TYPE A	Dritta / Straight
A0344	121	52314	200	20	4	30-35-40-50	4	Dx Rh	TYPE A	Dritta / Straight
A0344	122	52315	200	30	4	30-35-40-50	4	Dx Rh	TYPE A	Dritta / Straight
A0344	123	52316	200	40	4	30-35-40-50	4	Dx Rh	TYPE A	Dritta / Straight
A0344	124	52317	200	50	4	30-35-40-50	4	Dx Rh	TYPE A	Dritta / Straight
A0344	125	52318	200	60	4	30-35-40-50	4	Dx Rh	TYPE A	Dritta / Straight
A0344	126	52319	200	80	4	30-35-40-50	4	Dx Rh	TYPE A	Dritta / Straight
A0344	200	97896	140	8	4	30-35-40-50		Dx Rh	TYPE B	Dritta / Straight
A0344	201	97897	140	10	4	30-35-40-50		Dx Rh	TYPE B	Dritta / Straight
A0344	202	97898	140	12	4	30-35-40-50		Dx Rh	TYPE B	Dritta / Straight
A0344	203	97899	140	20	4	30-35-40-50		Dx Rh	TYPE B	Dritta / Straight
A0344	204	97900	140	30	4	30-35-40-50		Dx Rh	TYPE B	Dritta / Straight
A0344	205	97901	140	40	4	30-35-40-50		Dx Rh	TYPE B	Dritta / Straight
A0344	206	97902	140	50	4	30-35-40-50		Dx Rh	TYPE B	Dritta / Straight
A0344	207	97903	140	60	4	30-35-40-50		Dx Rh	TYPE B	Dritta / Straight
A0344	208	97904	140	80	4	30-35-40-50		Dx Rh	TYPE B	Dritta / Straight

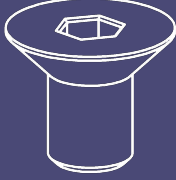
ART	COD	DRW	D	B	Z	d	RI	ROT	RIF	GT
A0344	209	97905	160	8	4	30-35-40-50		Dx Rh	TYPE B	Dritta / Straight
A0344	210	97906	160	10	4	30-35-40-50		Dx Rh	TYPE B	Dritta / Straight
A0344	211	97907	160	12	4	30-35-40-50		Dx Rh	TYPE B	Dritta / Straight
A0344	212	97908	160	20	4	30-35-40-50		Dx Rh	TYPE B	Dritta / Straight
A0344	213	97909	160	30	4	30-35-40-50		Dx Rh	TYPE B	Dritta / Straight
A0344	214	97910	160	40	4	30-35-40-50		Dx Rh	TYPE B	Dritta / Straight
A0344	215	97911	160	50	4	30-35-40-50		Dx Rh	TYPE B	Dritta / Straight
A0344	216	97912	160	60	4	30-35-40-50		Dx Rh	TYPE B	Dritta / Straight
A0344	217	97913	160	80	4	30-35-40-50		Dx Rh	TYPE B	Dritta / Straight
A0344	218	97914	200	8	4	30-35-40-50		Dx Rh	TYPE B	Dritta / Straight
A0344	219	97915	200	10	4	30-35-40-50		Dx Rh	TYPE B	Dritta / Straight
A0344	220	97916	200	12	4	30-35-40-50		Dx Rh	TYPE B	Dritta / Straight
A0344	221	97917	200	20	4	30-35-40-50		Dx Rh	TYPE B	Dritta / Straight
A0344	222	97918	200	30	4	30-35-40-50		Dx Rh	TYPE B	Dritta / Straight
A0344	223	97919	200	40	4	30-35-40-50		Dx Rh	TYPE B	Dritta / Straight
A0344	224	97920	200	50	4	30-35-40-50		Dx Rh	TYPE B	Dritta / Straight
A0344	225	97921	200	60	4	30-35-40-50		Dx Rh	TYPE B	Dritta / Straight
A0344	226	97922	200	80	4	30-35-40-50		Dx Rh	TYPE B	Dritta / Straight

RICAMBI / SPARE PARTS

COD.		QTY		QTY		QTY		QTY
A0344.100	A0520.001.3339	4	A0540.001.3579	4	A1057.020.15998	4	A1078.010.15999	4
A0344.101	A0520.002.3340	4	A0540.001.3579	4	A1057.020.15998	4	A1078.010.15999	4
A0344.102	A0520.003.3341	4	A0540.001.3579	4	A1057.021.15806	4	A1078.012.14700	4
A0344.103	A0520.003.3344	4	A0540.001.3579	4	A1057.022.15751	4	A1078.015.6439	4
A0344.104	A0520.008.3347	4	A0540.001.3579	4	A1057.012.5425	4	A1078.015.6439	4
A0344.105	A0520.010.3350	4	A0540.001.3579	4	A1057.014.5428	4	A1078.015.6439	8
A0344.106	A0520.012.3352	4	A0540.001.3579	4	A1057.015.5710	4	A1078.015.6439	8
A0344.107	A0520.013.3352	4	A0540.001.3579	4	A1057.016.5242	4	A1078.015.6439	8
A0344.108	A0520.014.3552	4	A0540.001.3579	4	A1057.018.6020	4	A1078.015.6439	8
A0344.109	A0520.001.3339	4	A0540.001.3579	4	A1057.020.15998	4	A1078.010.15999	4
A0344.110	A0520.002.3340	4	A0540.001.3579	4	A1057.020.15998	4	A1078.010.15999	4
A0344.111	A0520.003.3341	4	A0540.001.3579	4	A1057.021.15806	4	A1078.012.14700	4
A0344.112	A0520.003.3344	4	A0540.001.3579	4	A1057.012.5425	4	A1078.015.6439	4
A0344.113	A0520.008.3347	4	A0540.001.3579	4	A1057.012.5425	4	A1078.015.6439	4
A0344.114	A0520.010.3350	4	A0540.001.3579	4	A1057.014.5428	4	A1078.015.6439	8
A0344.115	A0520.012.3352	4	A0540.001.3579	4	A1057.015.5710	4	A1078.015.6439	8
A0344.116	A0520.013.3352	4	A0540.001.3579	4	A1057.016.5242	4	A1078.015.6439	8
A0344.117	A0520.014.3552	4	A0540.001.3579	4	A1057.018.6020	4	A1078.015.6439	8
A0344.118	A0520.001.3339	4	A0540.001.3579	4	A1057.020.15998	4	A1078.010.15999	4
A0344.119	A0520.002.3340	4	A0540.001.3579	4	A1057.020.15998	4	A1078.010.15999	4
A0344.120	A0520.003.3341	4	A0540.001.3579	4	A1057.021.15806	4	A1078.012.14700	4
A0344.121	A0520.003.3344	4	A0540.001.3579	4	A1057.012.5425	4	A1078.015.6439	4
A0344.122	A0520.008.3347	4	A0540.001.3579	4	A1057.012.5425	4	A1078.015.6439	4
A0344.123	A0520.010.3350	4	A0540.001.3579	4	A1057.014.5428	4	A1078.015.6439	8
A0344.124	A0520.012.3352	4	A0540.001.3579	4	A1057.015.5710	4	A1078.015.6439	8
A0344.125	A0520.013.3352	4	A0540.001.3579	4	A1057.016.5242	4	A1078.015.6439	8
A0344.126	A0520.014.3552	4	A0540.001.3579	4	A1057.018.6020	4	A1078.015.6439	8
A0344.200	A0520.001.3339	4			A1057.020.15998	4	A1078.010.15999	4
A0344.201	A0520.002.3340	4			A1057.020.15998	4	A1078.010.15999	4
A0344.202	A0520.003.3341	4			A1057.021.15806	4	A1078.012.14700	4
A0344.203	A0520.003.3344	4			A1057.012.5425	4	A1078.015.6439	4
A0344.204	A0520.008.3347	4			A1057.012.5425	4	A1078.015.6439	4
A0344.205	A0520.010.3350	4			A1057.014.5428	4	A1078.015.6439	8
A0344.206	A0520.012.3352	4			A1057.015.5710	4	A1078.015.6439	8
A0344.207	A0520.013.3352	4			A1057.016.5242	4	A1078.015.6439	8
A0344.208	A0520.014.3552	4			A1057.018.6020	4	A1078.015.6439	8
A0344.209	A0520.001.3339	4			A1057.020.15998	4	A1078.010.15999	4
A0344.210	A0520.002.3340	4			A1057.020.15998	4	A1078.010.15999	4
A0344.211	A0520.003.3341	4			A1057.021.15806	4	A1078.012.14700	4
A0344.212	A0520.003.3344	4			A1057.012.5425	4	A1078.015.6439	4
A0344.213	A0520.008.3347	4			A1057.012.5425	4	A1078.015.6439	4
A0344.214	A0520.010.3350	4			A1057.014.5428	4	A1078.015.6439	8
A0344.215	A0520.012.3352	4			A1057.015.5710	4	A1078.015.6439	8
A0344.216	A0520.013.3352	4			A1057.016.5242	4	A1078.015.6439	8
A0344.217	A0520.014.3552	4			A1057.018.6020	4	A1078.015.6439	8
A0344.218	A0520.001.3339	4			A1057.020.15998	4	A1078.010.15999	4
A0344.219	A0520.002.3340	4			A1057.020.15998	4	A1078.010.15999	4

COD.		QTY		QTY		QTY		QTY
A0344.220	A0520.003.3341	4			A1057.021.15806	4	A1078.012.14700	4
A0344.221	A0520.003.3344	4			A1057.012.5425	4	A1078.015.6439	4
A0344.222	A0520.008.3347	4			A1057.012.5425	4	A1078.015.6439	4
A0344.223	A0520.010.3350	4			A1057.014.5428	4	A1078.015.6439	8
A0344.224	A0520.012.3352	4			A1057.015.5710	4	A1078.015.6439	8
A0344.225	A0520.013.3352	4			A1057.016.5242	4	A1078.015.6439	8
A0344.226	A0520.014.3552	4			A1057.018.6020	4	A1078.015.6439	8

COD.		QTY
A0344.100	A1081.005.34356	4
A0344.101	A1081.005.34356	4
A0344.102	A1081.005.34356	4
A0344.103	A1081.006.34357	4
A0344.104	A1081.006.34357	4
A0344.105	A1081.006.34357	4
A0344.106	A1081.006.34357	4
A0344.107	A1081.006.34357	4
A0344.108	A1081.006.34357	4
A0344.109	A1081.005.34356	4
A0344.110	A1081.005.34356	4
A0344.111	A1081.005.34356	4
A0344.112	A1081.006.34357	4
A0344.113	A1081.006.34357	4
A0344.114	A1081.006.34357	4
A0344.115	A1081.006.34357	4
A0344.116	A1081.006.34357	4
A0344.117	A1081.006.34357	4
A0344.118	A1081.005.34356	4
A0344.119	A1081.005.34356	4
A0344.120	A1081.005.34356	4
A0344.121	A1081.006.34357	4
A0344.122	A1081.006.34357	4
A0344.123	A1081.006.34357	4
A0344.124	A1081.006.34357	4
A0344.125	A1081.006.34357	4
A0344.126	A1081.006.34357	4
A0344.200		
A0344.201		
A0344.202		
A0344.203		
A0344.204		
A0344.205		
A0344.206		
A0344.207		
A0344.208		
A0344.209		
A0344.210		
A0344.211		
A0344.212		
A0344.213		
A0344.214		
A0344.215		
A0344.216		
A0344.217		
A0344.218		
A0344.219		
A0344.220		
A0344.221		
A0344.222		

COD.		QTY
A0344.223		
A0344.224		
A0344.225		
A0344.226		