

A0321

Teste portacoltelli per smussi variabili con ghiera
Adjustable bevels cutterheads with ring nut



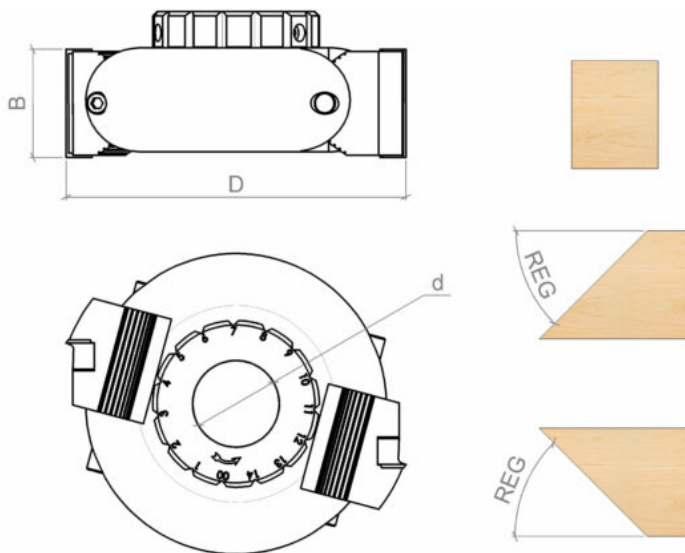
IMPIEGO / FUNCTION

scorniatrice, toupie
moulder, spindle moulder

DESCRIZIONE / DESCRIPTION

Teste portacoltelli per smussi variabili con gradazione come indicato in tabella, con 2 coltellini reversibili Z=4 in HW(Hm integrale). La regolazione simultanea dei 2 taglienti avviene tramite una ghiera graduata.

Cutterheads for adjustable bevels angle as indicated table, with 2 HW (integral tungsten carbide) reversible inserts Z=4. The regulation and the simultaneous rotation of the 2 cutting edges are allowed by a graduated ring nut.



DATI TECNICI / TECHNICAL DATA

ART	COD	DRW	D	B	Z	d	D2	REG	ROT
A0321	101	99887	155	50	2	30	166	+75°-75°	Dx Rh
A0321	102	99888	155	50	2	31,75	166	+75°-75°	Dx Rh
A0321	103	99889	155	50	2	35	166	+75°-75°	Dx Rh
A0321	104	99890	155	50	2	40	166	+75°-75°	Dx Rh
A0321	105	99891	155	60	2	30	180	+60°-60°	Dx Rh
A0321	106	99892	155	60	2	31,75	180	+60°-60°	Dx Rh
A0321	107	99893	155	60	2	35	180	+60°-60°	Dx Rh
A0321	108	99894	155	60	2	40	180	+60°-60°	Dx Rh
A0321	109	99895	155	80	2	30	204	+45°-45°	Dx Rh
A0321	110	99896	155	80	2	31,75	204	+45°-45°	Dx Rh
A0321	111	99897	155	80	2	35	204	+45°-45°	Dx Rh
A0321	112	99898	155	80	2	40	204	+45°-45°	Dx Rh
A0321	201	99899	170	50	2	30	0	+75°-75°	Dx Rh
A0321	202	99900	170	50	2	31,75	0	+75°-75°	Dx Rh

ART	COD	DRW	D	B	Z	d	D2	REG	ROT
A0321	203	99914	170	50	2	35	0	+75°-75°	Dx Rh
A0321	204	99915	170	50	2	40	0	+75°-75°	Dx Rh
A0321	205	99916	170	50	2	50	0	+75°-75°	Dx Rh
A0321	206	99917	170	60	2	30	0	+60°-60°	Dx Rh
A0321	207	99918	170	60	2	31,75	0	+60°-60°	Dx Rh
A0321	208	99919	170	60	2	35	0	+60°-60°	Dx Rh
A0321	209	99920	170	60	2	40	0	+60°-60°	Dx Rh
A0321	210	99921	170	60	2	50	0	+60°-60°	Dx Rh
A0321	211	99922	170	80	2	30	0	+45°-45°	Dx Rh
A0321	212	99923	170	80	2	31,75	0	+45°-45°	Dx Rh
A0321	213	99924	170	80	2	35	0	+45°-45°	Dx Rh
A0321	214	99925	170	80	2	40	0	+45°-45°	Dx Rh
A0321	215	99926	170	80	2	50	0	+45°-45°	Dx Rh