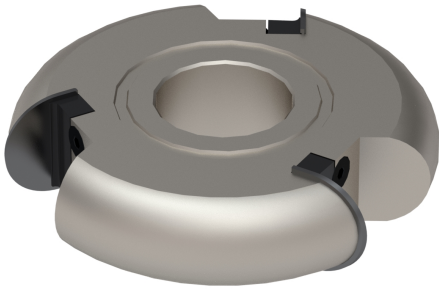


# A0305

Frese sagomate per mezzi tondi convessi  
*Profiled cutters for convex half circles*



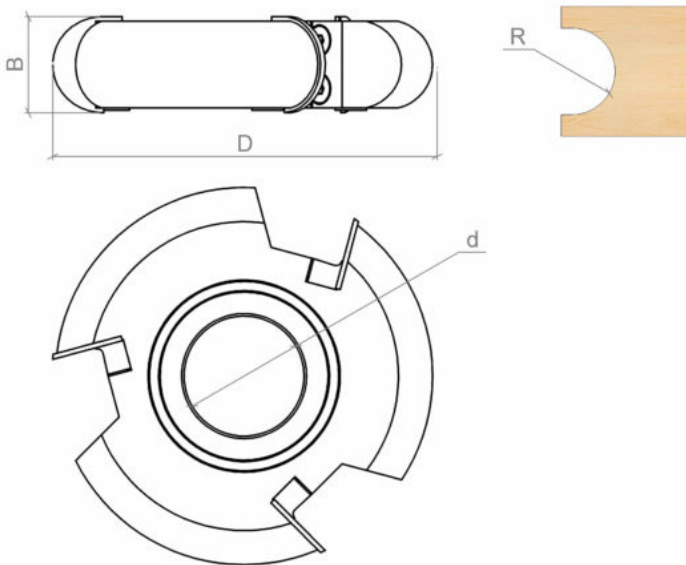
## MATERIALE LAVORATO / MATERIALS

legno duro, legno tenero, mdf  
*hHrd wood, hHrd wood, mdf, soft  
 wood*

## IMPIEGO / FUNCTION

scorniatrice, toupie  
*moulder, spindle moulder*


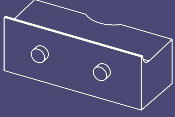
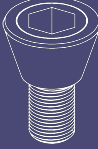

## DESCRIZIONE / DESCRIPTION



## DATI TECNICI / TECHNICAL DATA

ART	COD	DRW	D	B	Z	d	ROT	R
A0305	001	52261	160	15	3	30-35-40-50	Dx Rh	7.5
A0305	002	52262	160	20	3	30-35-40-50	Dx Rh	10
A0305	003	52263	160	25	3	30-35-40-50	Dx Rh	12.5
A0305	004	52264	160	30	3	30-35-40-50	Dx Rh	15
A0305	005	52265	160	35	3	30-35-40-50	Dx Rh	17.5
A0305	006	52266	160	40	3	30-35-40-50	Dx Rh	20
A0305	007	52267	180	50	3	30-35-40-50	Dx Rh	25
A0305	008	52268	180	60	3	30-35-40-50	Dx Rh	30

## RICAMBI / SPARE PARTS

COD.		QTY		QTY		QTY		QTY
A0305.001	A0560.131.90403	3	A1057.021.15806	3	A1078.012.14700	3	A1077.011.14688	3
A0305.002	A0560.011.90404	3	A1057.010.5261	3	A1078.015.6439	3	A1077.011.14688	3
A0305.003	A0560.031.90405	3	A1057.011.11242	3	A1078.015.6439	3	A1077.011.14688	3
A0305.004	A0560.046.90406	3	A1057.012.5425	3	A1078.015.6439	6	A1077.011.14688	3
A0305.005	A0560.167.90407	3	A1057.013.11240	3	A1078.015.6439	6	A1077.011.14688	3
A0305.006	A0560.066.83982	3	A1057.014.5428	3	A1078.015.6439	6	A1077.011.14688	3
A0305.007	A0560.091.90408	3	A1057.015.5710	3	A1078.015.6439	6	A1077.011.14688	3
A0305.008	A0560.106.90409	3	A1057.016.5242	3	A1078.015.6439	6	A1077.011.14688	3