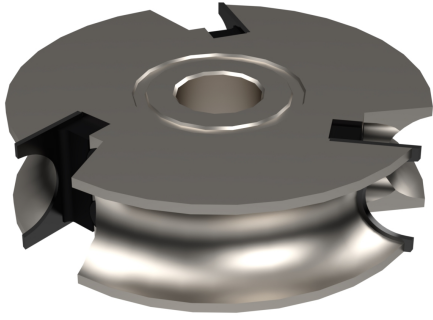


A0303

Frese sagomate per mezzi tondi concavi
Profiled cutters for concave half circles



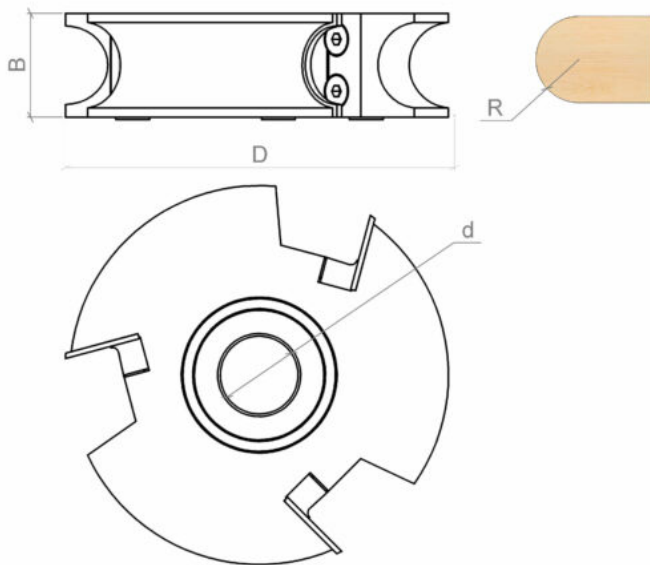
MATERIALE LAVORATO / MATERIALS

legno duro, legno tenero, mdf
*hHrd wood, hHrd wood, mdf, soft
 wood*

IMPIEGO / FUNCTION

scorniciatrice, toupie
moulder, spindle moulder

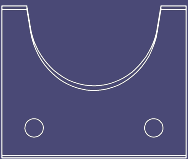
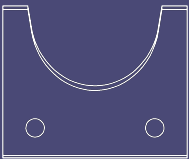
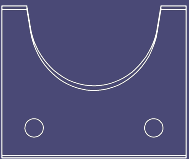
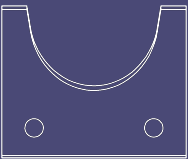
DESCRIZIONE / DESCRIPTION

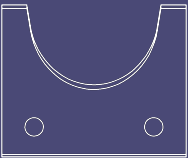
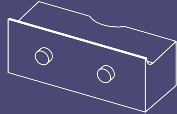
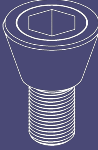



DATI TECNICI / TECHNICAL DATA

ART	COD	DRW	D	B	Z	d	ROT	R
A0303	001	52257	160	25	3	30-35-40-50	Dx Rh	2
A0303	002	52258	160	30	3	30-35-40-50	Dx Rh	6
A0303	003	52259	160	35	3	30-35-40-50	Dx Rh	10
A0303	004	52260	180	50	3	30-35-40-50	Dx Rh	18

RICAMBI / SPARE PARTS

COD.		QTY		QTY		QTY		QTY
A0303.001	A0560.026.90389	3	A0560.026.90390	3	A0560.026.90391	3	A0560.026.90392	3
A0303.002	A0560.036.90394	3	A0560.036.90395	3	A0560.036.90396	3		
A0303.003	A0560.172.90397	3	A0560.171.90398	3	A0560.171.90399	3	A0560.171.90400	3
A0303.004	A0560.091.90401	3	A0560.091.90402	3				

COD.		QTY		QTY		QTY		QTY
A0303.001	A0560.026.90393	3	A1057.011.5261	3	A1078.014.6284	3	A1077.011.14688	3
A0303.002			A1057.012.5425	3	A1078.014.6284	6	A1077.011.14688	3
A0303.003			A1057.013.11240	3	A1078.014.6284	6	A1077.011.14688	3
A0303.004			A1057.015.5710	3	A1078.014.6284	6	A1077.011.14688	3