

A0301

Frese sagomate per quarti di tondo concavi
Profiled cutters for concave quarter circles



MATERIALE LAVORATO / MATERIALS

legno duro, legno tenero, mdf
*hHrd wood, hHrd wood, mdf, soft
 wood*

IMPIEGO / FUNCTION

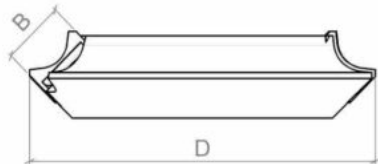
scorniciatrice, toupie
moulder, spindle moulder

DESCRIZIONE / DESCRIPTION

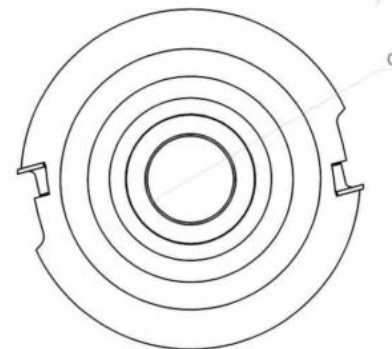
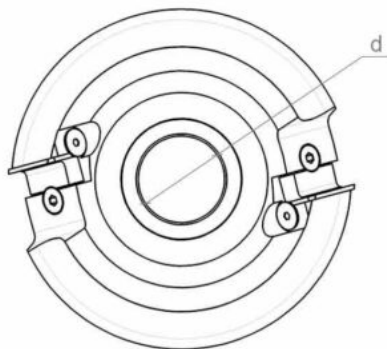
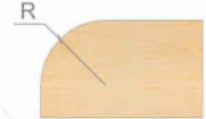
Testa portacoltelli con coltellini sagomati in HW (Hm integrale) di spessore 2 mm.

Insert cutters with HW (integral tungsten carbide) profiled inserts

LEGNO SOPRA - WOOD ABOVE





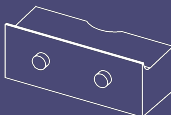
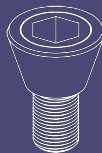
LEGNO SOTTO - WOOD BELOW




DATI TECNICI / TECHNICAL DATA

ART	COD	DRW	D	B	Z	d	ROT	RIF	R
A0301	001	52237	160	20	2	30-35-40-50	Dx Rh	A	8
A0301	002	52238	160	30	2	30-35-40-50	Dx Rh	A	12
A0301	003	52239	160	40	2	30-35-40-50	Dx Rh	A	20
A0301	004	52240	190	60	2	30-35-40-50	Dx Rh	A	30
A0301	005	52241	200	60	2	30-35-40-50	Dx Rh	A	40
A0301	006	52242	160	20	2	30-35-40-50	Dx Rh	B	8
A0301	007	52243	160	30	2	30-35-40-50	Dx Rh	B	12
A0301	008	52244	160	40	2	30-35-40-50	Dx Rh	B	20
A0301	009	52245	190	60	2	30-35-40-50	Dx Rh	B	30
A0301	010	52246	200	60	2	30-35-40-50	Dx Rh	B	40

RICAMBI / SPARE PARTS

COD.		QTY		QTY		QTY		QTY
A0301.001	A0560.041.85555	2	A0560.041.90270	2	A1057.010.5261	2	A1078.014.6284	2
A0301.002	A0560.041.90271	2	A0560.041.90272	2	A1057.012.5425	2	A1078.014.6284	4
A0301.003	A0560.041.90273	2	A0560.041.90274	2	A1057.014.5428	2	A1078.014.6284	4
A0301.004	A0560.041.90275	2	A0560.041.90276	2	A1057.016.5242	2	A1078.014.6284	4
A0301.005	A0560.041.90277	2	A0560.041.90278	2	A1057.016.5242	2	A1078.014.6284	4
A0301.006	A0560.041.90279	2	A0560.041.90280	2	A1057.010.5261	2	A1078.014.6284	2
A0301.007	A0560.041.90281	2	A0560.041.90282	2	A1057.012.5425	2	A1078.014.6284	4
A0301.008	A0560.041.90283	2	A0560.041.90284	2	A1057.014.5428	2	A1078.014.6284	4
A0301.009	A0560.041.90285	2	A0560.041.90286	2	A1057.016.5242	2	A1078.014.6284	4
A0301.010	A0560.041.90287	2	A0560.041.90288	2	A1057.016.5242	2	A1078.014.6284	4

COD.		QTY
A0301.001	A1077.011.14688	2
A0301.002	A1077.011.14688	2
A0301.003	A1077.011.14688	2
A0301.004	A1077.011.14688	2
A0301.005	A1077.011.14688	2
A0301.006	A1077.011.14688	2
A0301.007	A1077.011.14688	2
A0301.008	A1077.011.14688	2
A0301.009	A1077.011.14688	2
A0301.010	A1077.011.14688	2